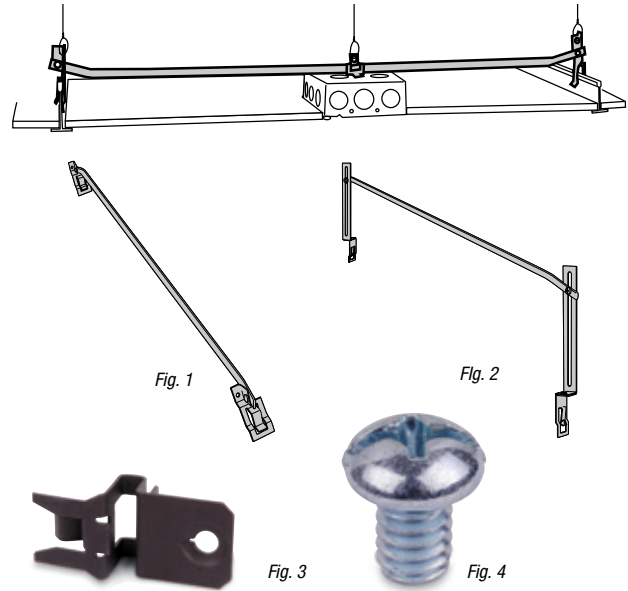


## Acoustical Tee Supports, Clips and Brackets

### Snap-On Box Hanger

- Enables positioning of fixture or box anywhere across a 24" span
- Hanger comes complete with THC box mounting clip and ¼-20 screw
- Drop wire holes in tee clips and the clip enable support from main structure
- Part includes dual-height feature which enables 1½"-deep electrical box to be mounted flush with tile or offset ¼" for plaster ring
- The series includes bar hanger THC clip and ¼-20 x 38" screw
- The clip is furnished with ¼-30 x ⅜" screw

CAT. NO.	FIG. NO.	DESCRIPTION	STD. CTN.
SSF-TH12	1	T-grid box hanger, 12" span	25
SSF-TH20	1	T-grid box hanger, 20" span	25
SSF-TH24	1	T-grid box hanger, 24" span	25
SSF-TH30	1	T-grid box hanger, 30" span	25
SSF-TH24A	2	8" height adjustable, 24" span	25
SSF-THC	3	Snap-on fixture/box hanger mounting clip	100
SSF-MH1/4-3/8	4	¼-20 x ⅜" bolt combo head	100

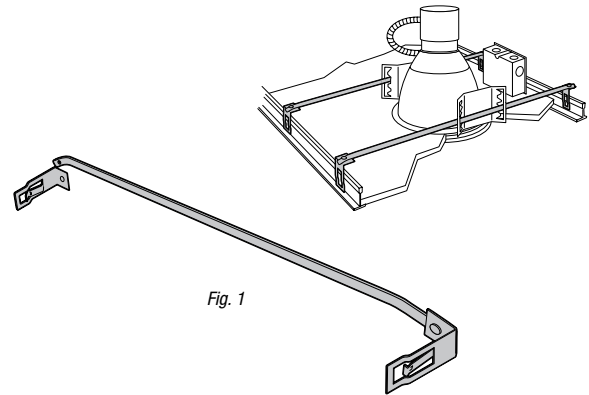


### Suspension Bars for Lightolier® Calculte® Series Fixtures

- Reduces installation time
- Hanger comes complete with bar riveted to acoustical tee clip, additional acoustical tee clip and ¼-20 screw
- Position of fixture adjustable with span
- Solid bar for sturdier installation
- Installs easily with a screwdriver

CAT. NO.	FIG. NO.	DESCRIPTION	STD. CTN.
SSF-TL24	1	Suspension bars for Lightolier Calculte	10

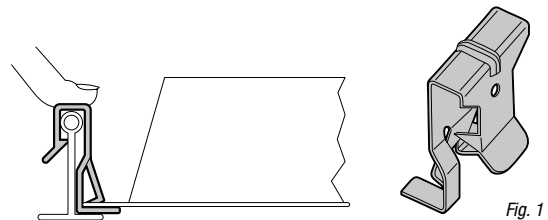
*Lightolier and Calculte are registered trademarks of Genlyte Thomas Group, LLC.*



### Light Fixture Support Clips

- Enlarged tab enables easy positioning of the clip over the tee bar
- Fits round- or rectangular-head tee bar
- Gives a positive method of supporting troffers and lay-ins
- No installation tools required

CAT. NO.	FIG. NO.	DESCRIPTION	STD. CTN.
SSF-TFC	1	Light fixture support clip	100



## Acoustical Tee Supports, Clips and Brackets

### Independent Support Clips

- Easy to assemble, one-piece construction
- Provides independent support for fixtures
- Washer wing nut included
- Static load limit 65 lbs.
- No installation tools required

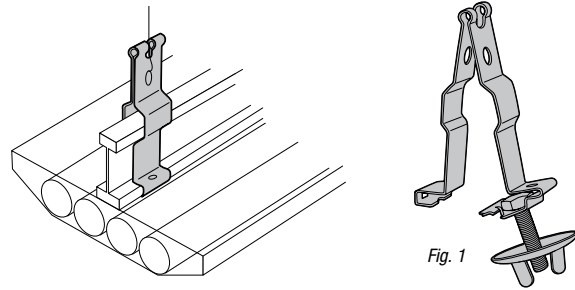
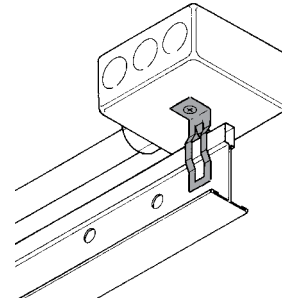


Fig. 1

CAT. NO.	FIG. NO.	DESCRIPTION	STATIC LOAD LIMIT (LBS.)	STD. CTN.
SSF-TS5/8	1	Grid size 1 <sup>5</sup> / <sub>16</sub> " , stud length 5/8"	65	100
SSF-TS2	1	Grid size 1 <sup>5</sup> / <sub>16</sub> " , stud length 2"	65	100
SSF-TS1 1/2	1	Grid size 1 <sup>5</sup> / <sub>16</sub> " , stud length 1 1/2"	65	100

### Electrical Component Supports

- Provides supporting conduit and outlet boxes above acoustical tee bar
- TCH and TCV Series provide both horizontal and vertical support
- Available with 1/4–20 thread impression or plain hole
- No installation tools required



CAT. NO.	FIG. NO.	DESCRIPTION	STD. CTN.
SSF-TCH	1	Top-mount T-Bar fastener with plain hole	100
SSF-TCHT	1	Top-mount T-Bar fastener with 1/4–20 thread impression	100
SSF-TCH-S1/2	2	Acoustical clip with top-mounted snap-in conduit clip for 1/2" conduit	25
SSF-TCH-S3/4	2	Acoustical clip with top-mounted snap-in conduit clip for 3/4" conduit	25
SSF-TCH-S1	2	Acoustical clip with top-mounted snap-in conduit clip for 1" conduit	25
SSF-TCH-C1/2 3/4	3	Acoustical clip with top-mounted conduit clip for 1/2"–3/4" conduit	25
SSF-TCV	4	Side-mount T-Bar fastener with plain hole	100
SSF-TCVT	4	Side-mount T-Bar fastener with 1/4–20 thread impression	100
SSF-TCV-S1/2	5	Acoustical clip with side-mounted conduit clip for 1/2" conduit	25
SSF-TCV-S3/4	5	Acoustical clip with side-mounted conduit clip for 3/4" conduit	25
SSF-TCV-S1	5	Acoustical clip with side-mounted conduit clip for 1" conduit	25
SSF-TCV-C1/2 3/4	6	Acoustical clip with side-mounted conduit clip for 1/2"–3/4" conduit	25

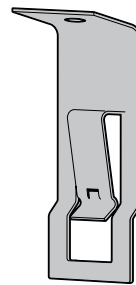


Fig. 1



Fig. 2



Fig. 3



Fig. 4

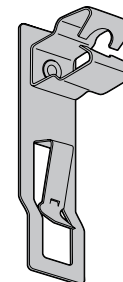


Fig. 5



Fig. 6

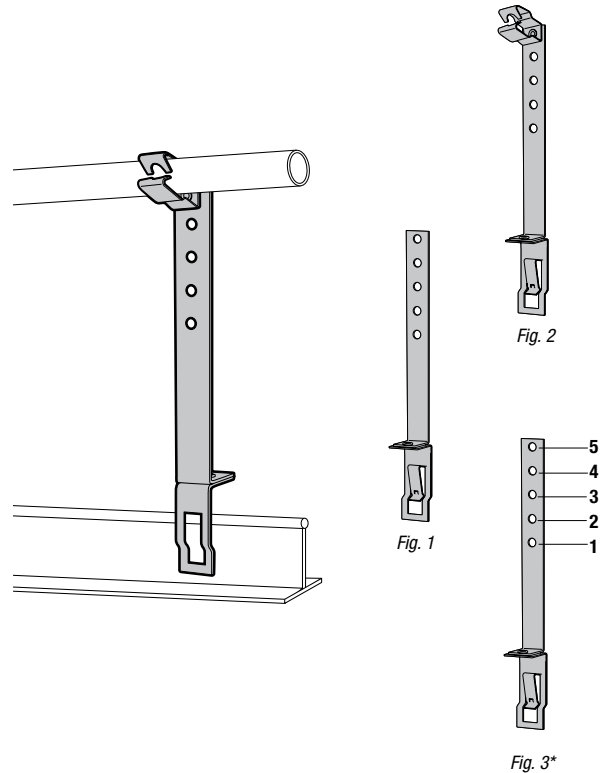
## Acoustical Tee Supports, Clips and Brackets

### Adjustable Box and Conduit Bracket

- Supports boxes and conduit above acoustical tee with height adjustments from 4¼" through 7¼"
- Attaches to conduit clips with thread impressions at required height
- Assemblies available for preset conduit locations
- TA7-S assemblies are furnished with the TA7 bracket, the conduit clip with thread impressions and ¼-20 cap screw

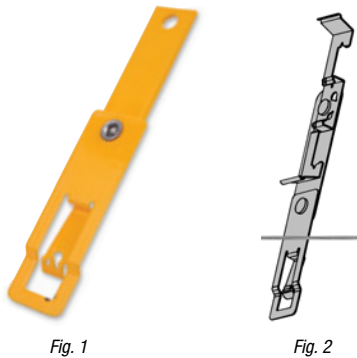
CAT. NO.	FIG. NO.	DESCRIPTION	STD. CTN.
SSF-TA7	1	Adjustable box and conduit support for T-grid	50
SSF-TA7-S1/2	2	For T-grid, with ½" snap-in conduit clip	25
SSF-TA7-S3/4	2	For T-grid, with ¾" snap-in conduit clip	25
SSF-TA7-S1	2	For T-grid, with 1" snap-in conduit clip	25

\*Note: For preset location, add location number per Figure 3.

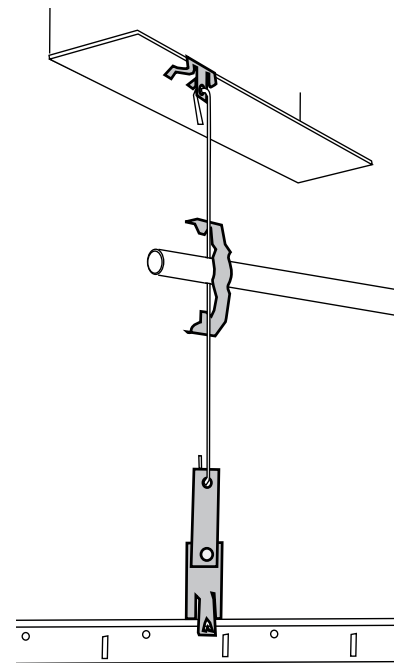


### Drop Rod Stabilizer

- Provides attachment for dedicated electrical drop wire
- Yellow painted finish for easy identification
- Compliant with NEC® Section 300.4(A) for supporting end of dedicated drop wire



CAT. NO.	FIG. NO.	DESCRIPTION	STD. CTN.
SSF-TCVYL	1	Drop wire stabilizer, #12 through #8 drop wire	25
SSF-TCVYL-FBUC	2	Drop wire stabilizer, #8 drop wire through ¾" rod	25

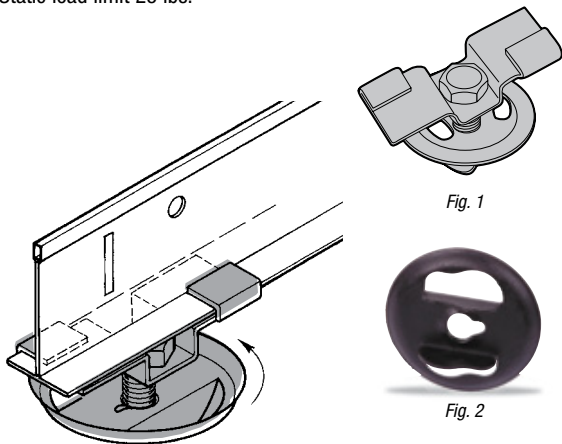


NEC and National Electrical Code are registered trademarks of the National Fire Protection Association, Inc.

## Acoustical Tee Supports, Clips and Brackets

### Acoustical Tee Twist-On Clip for Fixture Support

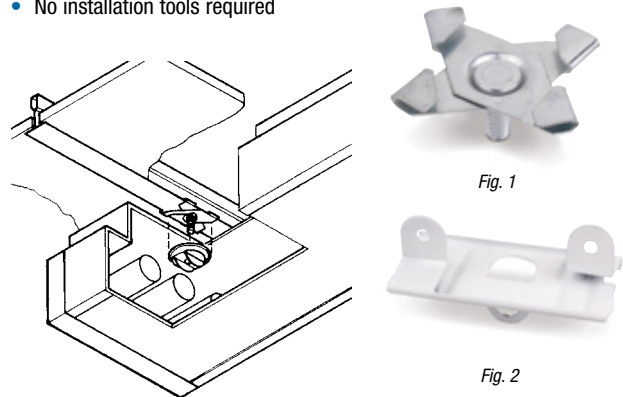
- Will not damage acoustical tee
- All T-clips with ¼–20 studs are furnished with a TWN-1/4" wing nut
- All T-clips with #8–32 studs are furnished with a #8–32 pal nut
- Available in black or white painted finish
- Static load limit 25 lbs.



CAT. NO.	FIG. NO.	DESCRIPTION	STATIC LOAD LIMIT (LBS.)	STD. CTN.
SSF-T9T5/8	1	¼–20 x ⅝" stud, ⅜" tee	50	25
SSF-T9T5/8WH	1	¼–20 x ⅝" stud, ⅜" tee, white	50	25
SSF-T9T8-5/8	1	#8–32 x ⅝" stud, ⅜" tee	50	25
SSF-T9T8-5/8WH	1	#8–32 x ⅝" stud, ⅜" tee, white	50	25
SSF-T9T8-7/16	1	#8–32 x ⅞" stud, ⅜" tee	50	25
SSF-TWN1/4	2	Impression washer wing nut, ¼–20 thread	50	100

### Acoustical Tee Twist-On Fixture Support

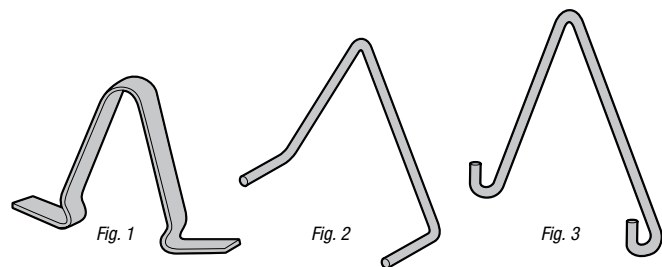
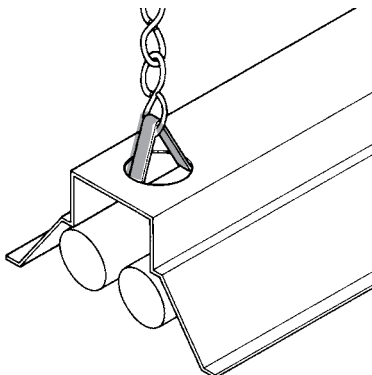
- Supports electrical fixtures from acoustical tee bar 1½" wide
- ¼–20 stud — ⅝", 1½", 2" or 3" long
- All T-Clips with ¼–20 studs furnished with TWN-¼" wing nut
- All T-Clips with #8–32 studs furnished with #8–32 pal nut
- No installation tools required



CAT. NO.	FIG. NO.	DESCRIPTION	STATIC LOAD LIMIT (LBS.)	STD. CTN.
SSF-T15T5/8	1	¼–20 x ⅝" stud, 1½" tee	50	25
SSF-T15T5/8WH	1	¼–20 x ⅝" stud, 1½" tee, white finish	20	25
SSF-T15T1 1/2	1	¼–20 x 1½" stud, 1½" tee	50	25
SSF-T15T1 1/2WH	1	¼–20 x 1½" stud, 1½" tee, white finish	20	25
SSF-T15T2	1	¼–20 x 2" stud, 1½" tee	50	25
SSF-T15T3	1	¼–20 x 3" stud, 1½" tee	50	25
SSF-T15T8-5/8	1	#8–32 x ⅝" stud, 1½" tee	50	25
SSF-T15T8-5/8WH	1	#8–32 x ⅝" stud, 1½" tee, white finish	20	25
SSF-T15T8-7/16	1	#8–32 x ⅞" stud, 1½" tee	50	25
SSF-T15T8-7/16WH	1	#8–32 x ⅞" stud, 1½" tee, white finish	20	25
SSF-T15TSH	2	Acoustical tile sign-hanger attachment, white finish	20	25

### Light Fixture Hanger

- Supports fluorescent light fixtures from S-hooks and jack chain (see page B-257)
- Supports 50 lbs. ultimate static load limit
- No need to modify jack chain for fixture installation



CAT. NO.	FIG. NO.	DESCRIPTION	STATIC LOAD LIMIT (LBS.)	STD. CTN.
SSF-TV	1	Fluorescent light fixture hanger	50	100
CI8930	2	Fluorescent light fixture hanger	115	100
CI8932	3	Fluorescent light fixture hanger	115	100